



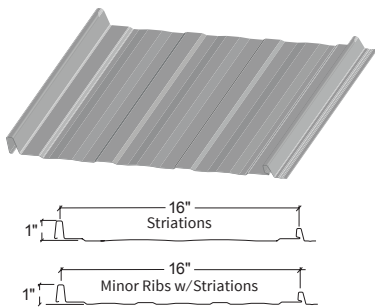
AMERICAN  
BUILDING  
COMPONENTS



**Residential**  
METAL ROOFING



## Slimline®

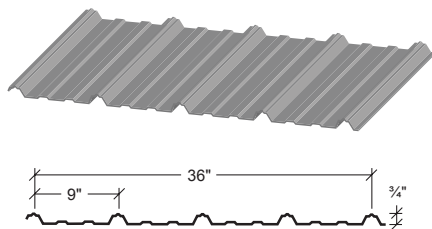


The Slimline® roof panel system offers a sleek contemporary profile, installed with concealed fasteners, making it ideal for residential applications. Slimline® panels are available with striations or striations and minor ribs. The Slimline® panel cannot be end lapped and must be installed over a solid, waterproofed deck when used as a roof panel.

**Applications:** Roof  
**Coverage Widths:** 16"  
**Rib Height:** 1"  
**Minimum Slope:** 3:12  
**Panel Attachment:**  
 Concealed Fastening System

**Gauges:** 29 (standard); 26 (optional)  
**Finishes:** Minor Ribs w/ Striations (standard); Striations only (optional)  
**Coatings:** Galvalume Plus®, Signature® 200, Signature® 300

## MasterRib®

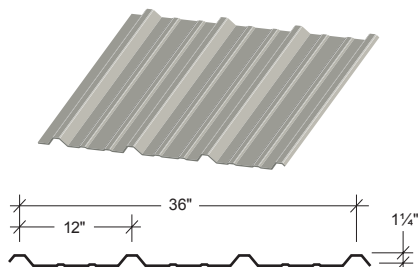


The MasterRib® panel system is an exposed fastened offering that can be used for both roof and wall applications. MasterRib® is ideal for residential, agricultural, light commercial and storage buildings. It also works well for canopies.

**Applications:** Roof and Wall  
**Coverage Widths:** 36"  
**Rib Spacing:** 9" on center  
**Rib Height:** 3/4"  
**Minimum Slope:** 3:12

**Panel Attachment:** Exposed Fastening System  
**Gauges:** 29 (standard); 26 (optional)  
**Finishes:** Smooth (standard); Embossed (optional)  
**Coatings:** Galvalume Plus®, Signature® 200

## PBR



PBR panel is commonly used for a wide variety of applications, including residential and agricultural. PBR is a structural panel and an exposed fastener panel that can be used for both roof and wall applications. The minimum roof slope for PBR is 1/2:12.

**Applications:** Roof and Wall  
**Coverage Width:** 36"  
**Rib Spacing:** 12" on Center  
**Rib Height:** 1/4"  
**Minimum Slope:** 1/2:12  
**Panel Attachment:** Exposed Fastening System

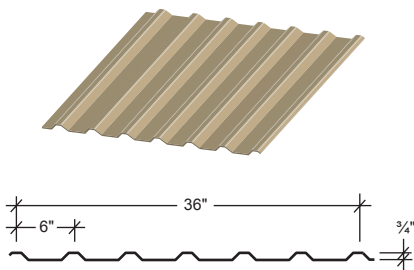
**Gauges:** 26 (standard); 22, 24 and 29 (optional)  
**Finishes:** Smooth (standard); Embossed (optional)  
**Coatings:** Galvalume Plus®, Signature® 200, Signature® 300

For the most current information available, visit our website: [abcmetalroofing.com](http://abcmetalroofing.com)

# Panel Options



## PBU



PBU can be installed directly over purlins or joists. PBU offers the versatility of being used in both vertical and horizontal applications to give designers a contemporary appearance for their building project. PBU is recommended for 1:12 or greater roof slopes.

**Applications:** Roof and Wall

**Coverage Width:** 36"

**Rib Spacing:** 6" on Center

**Rib Height:** 3/4"

**Minimum Slope:** 1:12

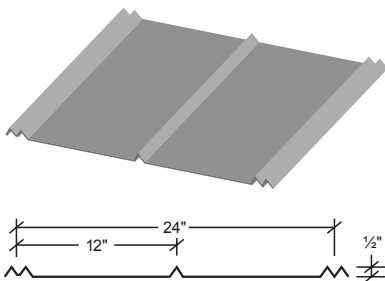
**Panel Attachment:** Exposed Fastening System

**Gauges:** 26 (standard); 22, 24 and 29 (optional)

**Finishes:** Smooth (standard); Embossed (optional)

**Coatings:** Galvalume Plus®, Signature® 200, Signature® 300

## 5V Crimp



5V Crimp is a popular aesthetically-pleasing solution for residential applications. The 5V Crimp panel is one of the oldest, and most trusted, in the industry. The low-rib, exposed fastener panel requires a solid roof deck with a waterproof membrane.

**Applications:** Roof

**Coverage Width:** 24"

**Rib Spacing:** 12" on Center

**Rib Height:** 1/2"

**Minimum Slope:** 3:12

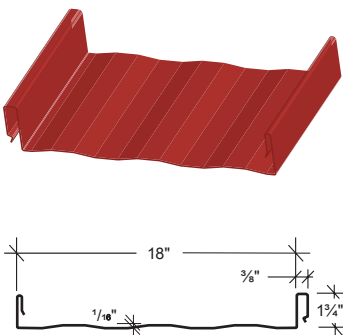
**Panel Attachment:** Exposed Fastening System

**Gauges:** 29 (standard); 26 (optional)

**Finishes:** Non-Striated, Striated

**Coatings:** Galvalume Plus®, Signature® 200

## LokSeam®



A snap-together standing seam, concealed fastener roof system, LokSeam® panels are available in 12-inch, 16-inch and 18-inch widths. Available in a wide variety of colors including metallic, this profile adds beauty and longevity to your home. LokSeam® panels can be installed over open framing or a solid substructure and are capable of transitioning from roof to fascia with the use of a rib cover. LokSeam® does not require a solid substructure for support.

**Application:** Roof

**Coverage Widths:** 12", 16" and 18"

**Minimum Slope:** 3:12

**Panel Attachment:** Concealed Fastening System, Standard and UL 90 Clips

**Gauges:** 24 (standard); 22 (12", 16", 18") and 26 (12") (optional)

**Finishes:** Striated (standard); Embossed Striated (optional)

**Coatings:** Galvalume Plus®, Signature® 200, Signature® 300, Signature® 300 Metallic

# Raising Roofing Standards Since 1908

American Building Components® is one of the country's most trusted brands of metal roofing systems and wall panels for residential applications. With benefits ranging from low maintenance to energy efficiency, metal is the foremost roofing material in the industry. ABC products offer a broad spectrum of color options and superior quality to help extend the life of your roof while giving you the beauty and comfort you expect from your home. Available through a nationwide network of manufacturing facilities and distributorships, our extensive assortment of ABC metal panels, trim and accessories provide complete building solutions for any project.

Metal roof panels from ABC are Cool Roof compliant through the Cool Roof Rating Council. When properly designed and installed, a cool metal roof can reduce energy consumption, providing significant cost savings and immediate return on your investment. When you invest in ABC products, you are investing in the highest quality metal roofing and accessories in the industry. Our trusted sales team's main priority is your satisfaction.

As a proud member of the Cornerstone Building Brands family of companies, ABC draws significant product development and distribution strength as well as some of the best warranties in the industry. With ABC, you get more than the countless economic benefits, you get the peace of mind that you have prolonged the life of your roof and improved the value of your home.

800.877.8709 | [abcmetalroofing.com](http://abcmetalroofing.com) | [shop.abcmetalroofing.com](http://shop.abcmetalroofing.com)

© 2024 American Building Components, part of **Cornerstone Building Brands**, Inc. ALL RIGHTS RESERVED. 0801249991103/RevC/MS/1124

